

Technical Specifications

Power Supply	21...25.2VDC PELV
Power Consumption	max. 9.4W
Ambient Temperature	0...55°C / 32...131°F
Safety Rating	IP20
Dimming	1...100%
PWM Signal	125...500Hz
Rated Luminous Flux	804lm typ.
Color Temperature	warm white 3000K typ.
Beam Angle	60°
Dimensions	D = 80mm, H = 70mm
Connection	Push-in spring connection
Maintenance & Cleaning	This device is free of maintenance and may only be cleaned with a dry cloth.

LOXONE

LOXONE

Need Help?

loxone.com/support

Loxone Electronics GmbH
Smart Home 1
4154 Kollerschlag
Austria

loxone.com



V221119

LED Ceiling Spot WW Tree

Part No: 100238 (White)
Part No: 100281 (Anthracite)

About the product

The Loxone LED CEILING SPOT WW Tree is a downlight with warm white light output. It works best in combination with the Loxone RGBW 24V Dimmers. You can connect up to 5 Loxone LED Spot WW per channel (20 in total) with one Loxone 24V Dimmer.

Installation & electrical connection

The installation of this device has to be carried out by a qualified person. The device has to be fitted in accordance with building regulations for electrical and fire safety. If the device is not installed according to manufacturers guidelines the protection of the device may be affected.

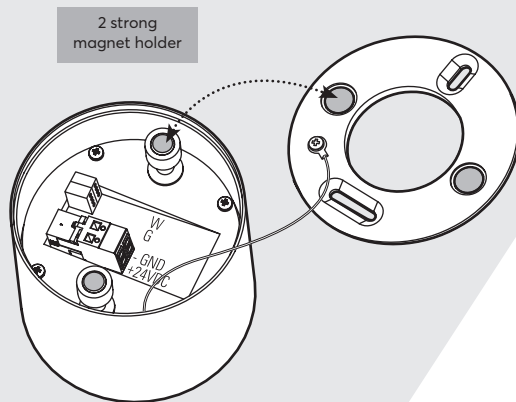
This folder is a part of the product!
DRY LOCATIONS ONLY • POUR EMPLACEMENTS SECS SEULEMENT •
CLASS 2 INPUT ONLY • ENTRÉE DE CLASSE 2 UNIQUEMENT



For additional information, declaration of conformity, visit www.loxone.com/help/ledceilingspot

Power Connectors

Wire Diameter	0.2mm ² ...1.5mm ²
Max. rated Current	10A
Push-In-Technology	To make connection insert the conductor; to remove the cable push in the orange Bolt.



Tree Connectors

Wire Diameter	0.25mm ² ...0.8mm ²
Exposed Wire Length	5mm
Push-In-Technology	To make connection insert the conductor; to remove the cable twist and pull at the same time.

